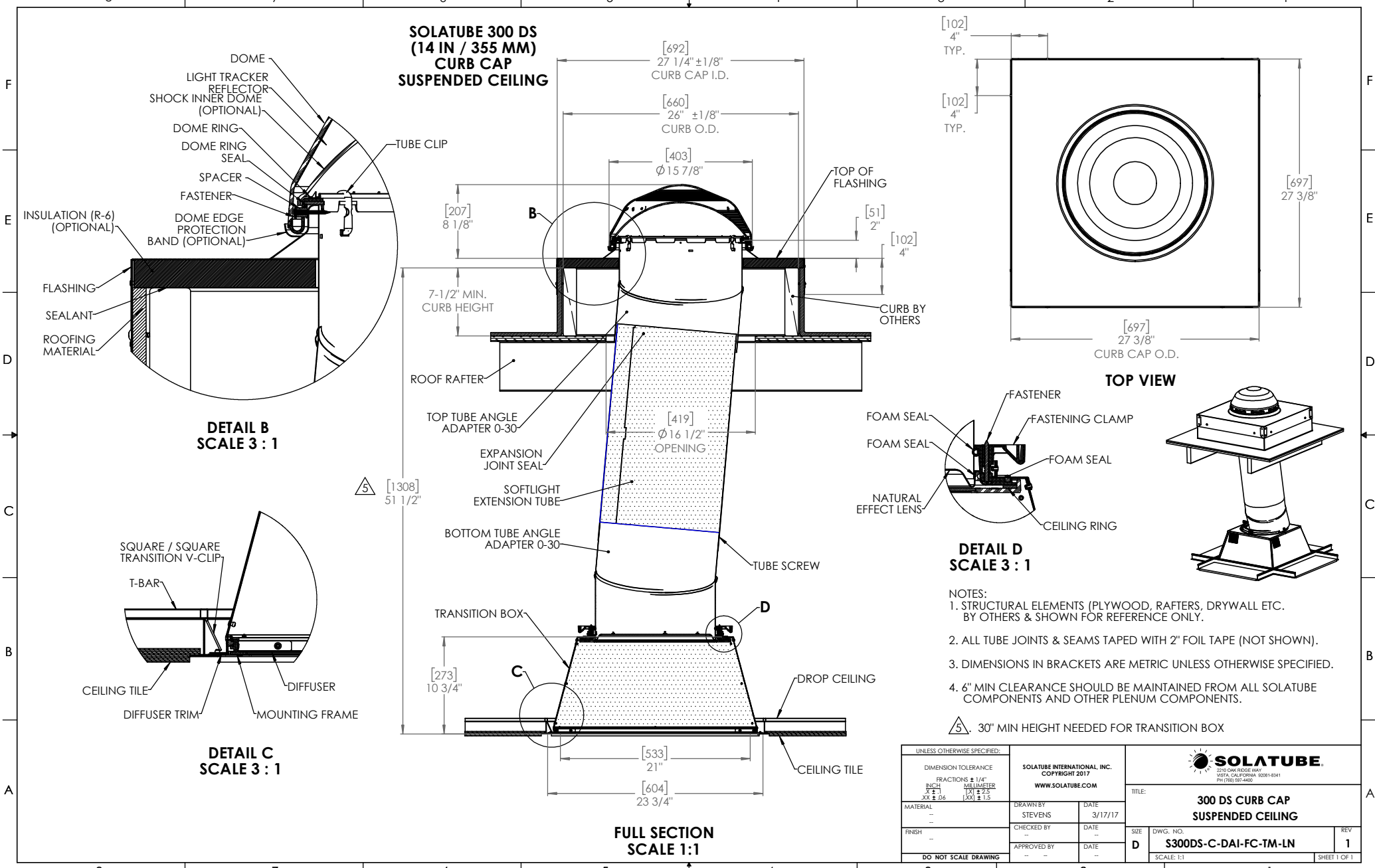


**SOLATUBE 300 DS  
(14 IN / 355 MM)  
CURB CAP  
SUSPENDED CEILING**



**DETAIL B  
SCALE 3 : 1**

**DETAIL C  
SCALE 3 : 1**

**DETAIL D  
SCALE 3 : 1**

**TOP VIEW**

**FULL SECTION  
SCALE 1:1**

- NOTES:
1. STRUCTURAL ELEMENTS (PLYWOOD, RAFTERS, DRYWALL ETC.) BY OTHERS & SHOWN FOR REFERENCE ONLY.
  2. ALL TUBE JOINTS & SEAMS TAPED WITH 2" FOIL TAPE (NOT SHOWN).
  3. DIMENSIONS IN BRACKETS ARE METRIC UNLESS OTHERWISE SPECIFIED.
  4. 6" MIN CLEARANCE SHOULD BE MAINTAINED FROM ALL SOLATUBE COMPONENTS AND OTHER PLENUM COMPONENTS.
- △ 5. 30" MIN HEIGHT NEEDED FOR TRANSITION BOX

UNLESS OTHERWISE SPECIFIED:		<b>SOLATUBE INTERNATIONAL INC.</b> COPYRIGHT 2017 WWW.SOLATUBE.COM		<b>SOLATUBE</b> <small>2210 OAK RIDGE HWY          COSTA MESA, CALIFORNIA 92626-1891          PH (714) 591-4400</small>	
DIMENSION TOLERANCE FRACTIONS ± 1/4" <small>INCH</small> ± 0.06 <small>MILLIMETER</small> ± 0.13 <small>XX</small> ± 0.06 <small>XXX</small> ± 0.13		DRAWN BY STEVENS		DATE 3/17/17	
MATERIAL -		CHECKED BY -		DATE -	
FINISH -		APPROVED BY -		DATE -	
DO NOT SCALE DRAWING				TITLE: <b>300 DS CURB CAP          SUSPENDED CEILING</b>	
		SIZE <b>D</b>		DWG. NO. <b>S300DS-C-DAI-FC-TM-LN</b>	
				SCALE: 1:1	
				REV <b>1</b>	
				SHEET 1 OF 1	