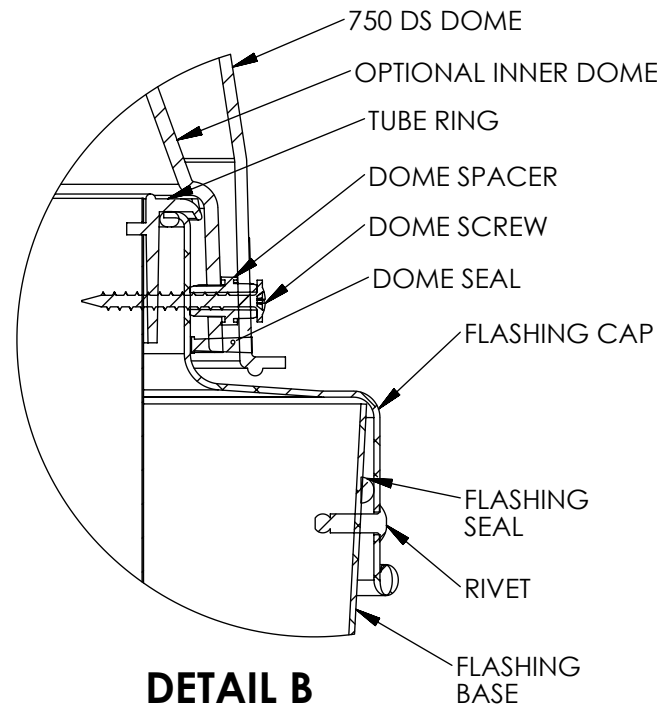


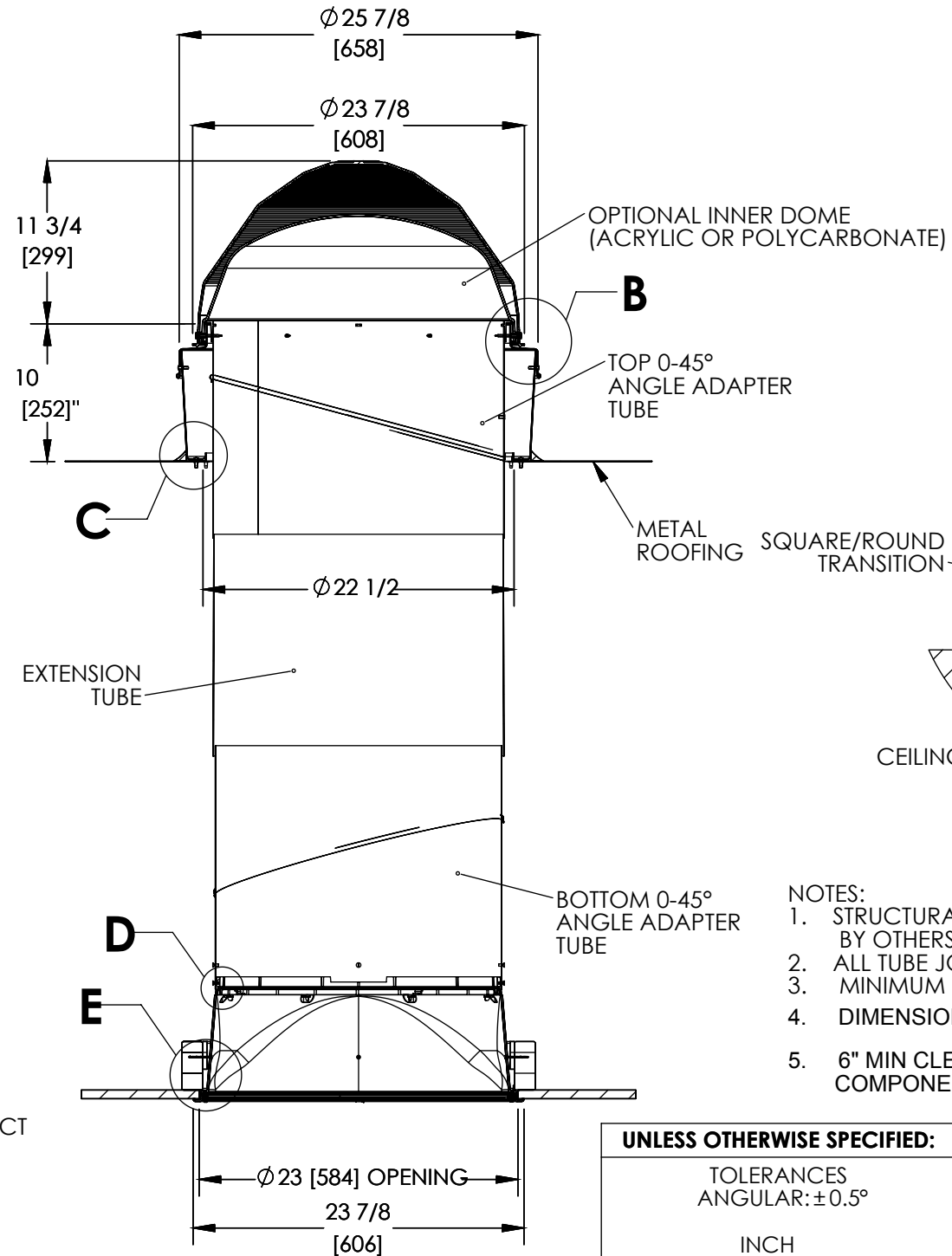
**SOLATUBE 750 DS-C
(21 IN/530 MM)
METAL ROOF FLASHING HARD CEILING
OPTIONAL INNER DOME**

D



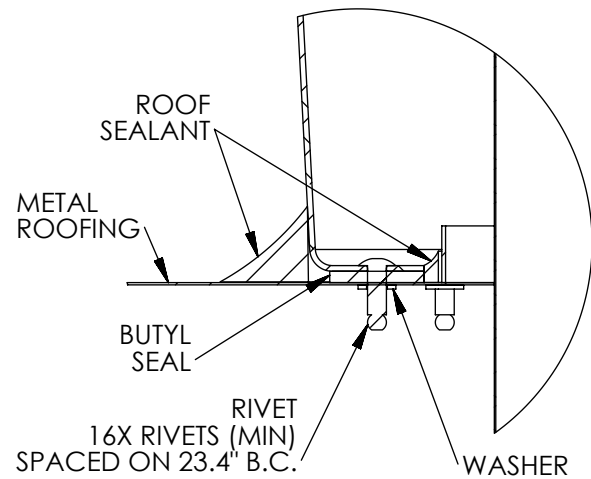
**DETAIL B
SCALE 1 : 6**

C



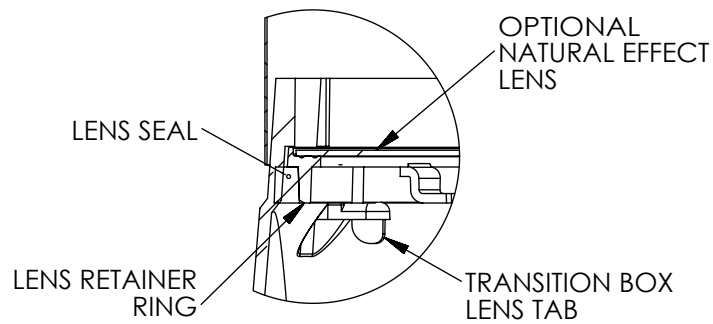
FULL SECTION

B



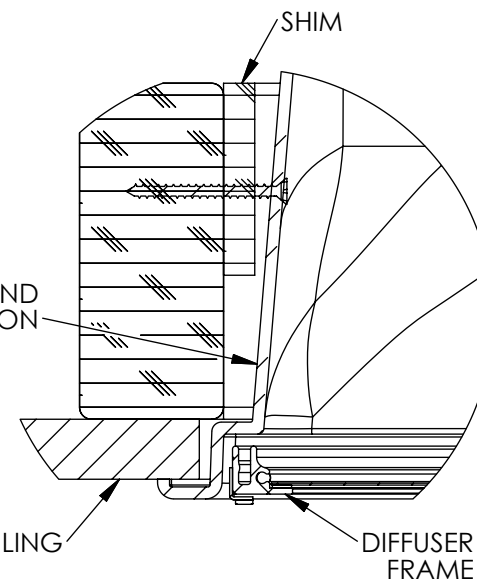
**DETAIL C
SCALE 1 : 6**

A



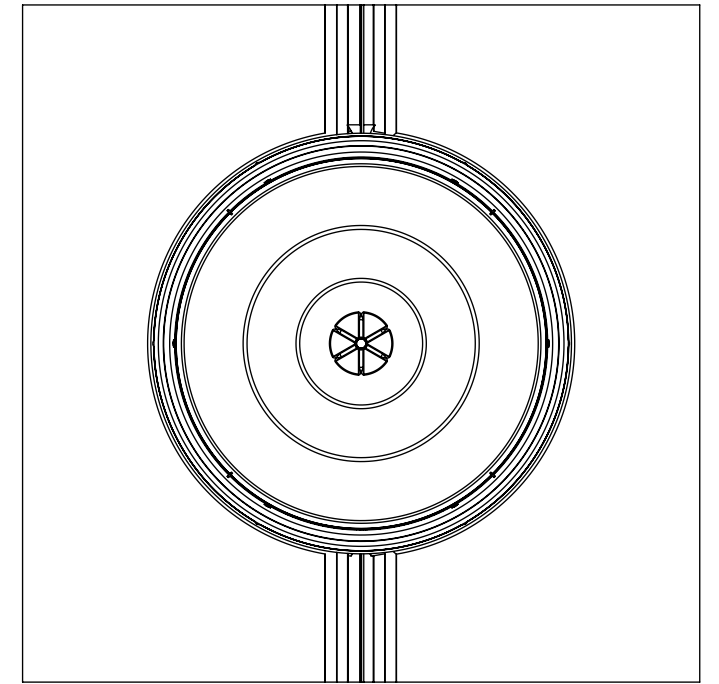
**DETAIL D
SCALE 1 : 6**

A

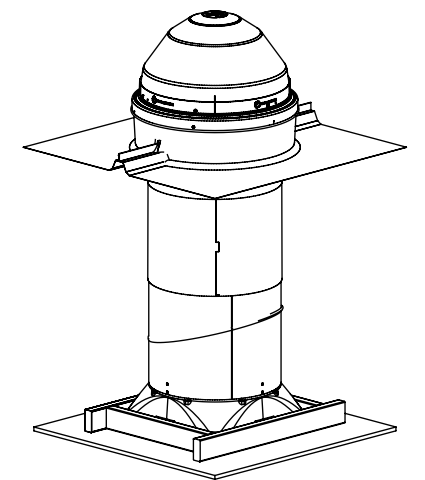


**DETAIL E
SCALE 1 : 6**

- NOTES:**
1. STRUCTURAL ELEMENTS (ROOFING, RAFTERS, DRYWALL, ETC) BY OTHERS & SHOWN FOR REFERENCE ONLY
 2. ALL TUBE JOINTS & SEAMS TAPED WITH 2" FOIL TAPE (NOT SHOWN)
 3. MINIMUM ROOF SLOPE 2.4 DEGREES
 4. DIMENSIONS IN BRACKETS ARE METRIC UNLESS OTHERWISE SPECIFIED.
 5. 6" MIN CLEARANCE SHOULD BE MAINTAINED FROM ALL SOLATUBE COMPONENTS AND OTHER PLENUM COMPONENTS.



TOP VIEW



UNLESS OTHERWISE SPECIFIED:		SOLATUBE INTERNATIONAL, INC. COPYRIGHT 2011	
TOLERANCES ANGULAR: ±0.5°		WWW.SOLATUBE.COM	
INCH .X ± .10		DRAWN BY STEVENS	DATE 2/15/10
MATERIAL --		CHECKED BY --	DATE --
FINISH --		APPROVED BY --	DATE --
DO NOT SCALE DRAWING			

SOLATUBE
2210 OAK RIDGE WAY
VISTA, CALIFORNIA 92081-8341
PH (760) 597-4400

TITLE: 750 DS-C METAL ROOF FLASHING/ HARD CEILING		
SIZE B	DWG. NO. WEB-750-FSM-HC	REV 4
UNITS: INCH [MM]	SCALE: 1:12	SHEET 1 OF 1

8

7

6

5

4

3

2

1

8

7

6

5

4

3

2

1